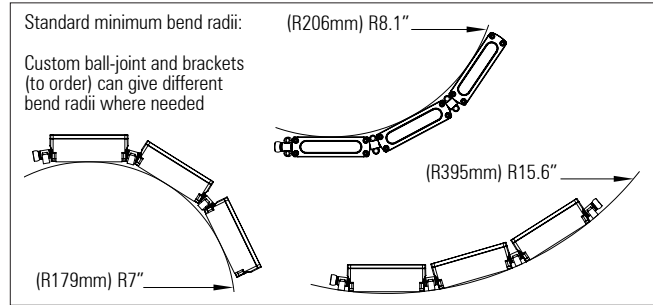
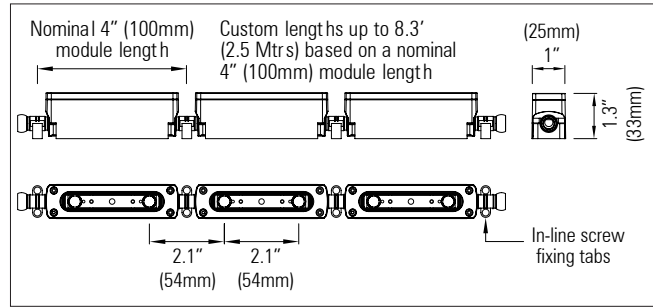
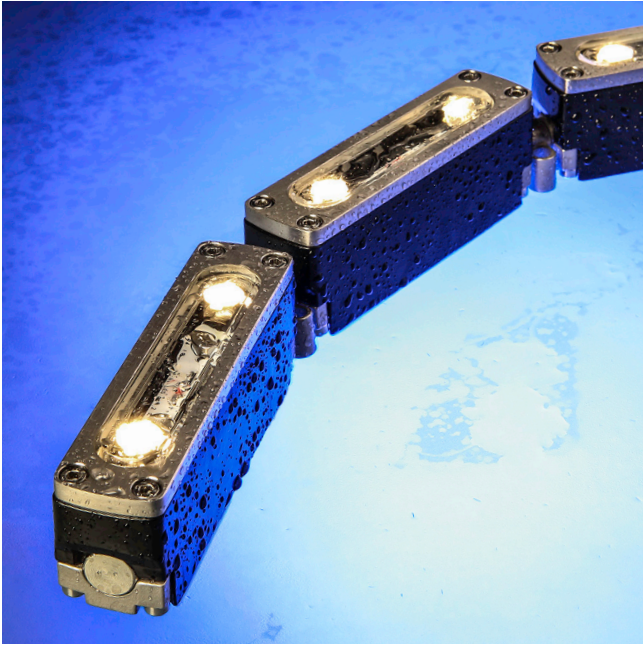


3D LED Flex system 25 IP68

1 or 2 x high power LEDs with lenses per module

Modular 3D flexible underwater IP68 LED linear lighting system



1 or 2 x high power LEDs with lenses per module

Modular, 3D flexible LED linear lighting system

Product description:

For use in underwater applications where curved lines of light are needed

Each module - 1 or 2 x Cree XP-E, XP-G or XQ-E LEDs with Ledil Lisa lenses

Up to 2.5 Watts per 4" (100mm) module

30 Volt - 48 Volt DC supply depending on application

Flexible in 3 dimensions - Articulated ball-joint system between modules

Submersible to 6.5' (2 mtrs) depth

System components cast in 316 L stainless steel - suitable for use in saline and chlorine environments including pools, fountains and marine projects

LED pitch is maintained between the modules

Side, back and end power feed and connector options allow for continuous lighting with no dark areas between fixtures. 17.5 Amp IP68 connectors join fixtures together on-site

Integral LV constant current driver - internal driver boards are potted in silicone resin

Dimming options available: 1-10V, DMX and DALI. Separate dimming channel

Various LED colour temperature and CRI options available

Satin black, satin white or any RAL paint colour finish

Custom lengths based on a 4" (100mm) module up to 8.3' (2.5 mtrs)

Various mounting options and bracket types are available

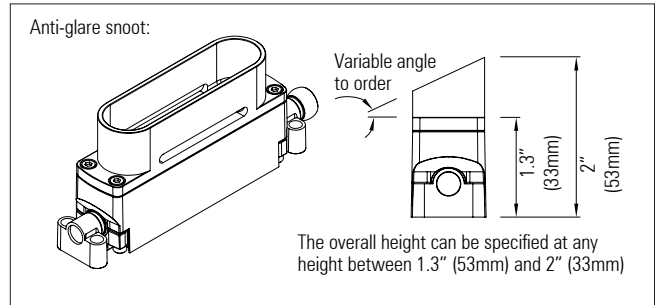
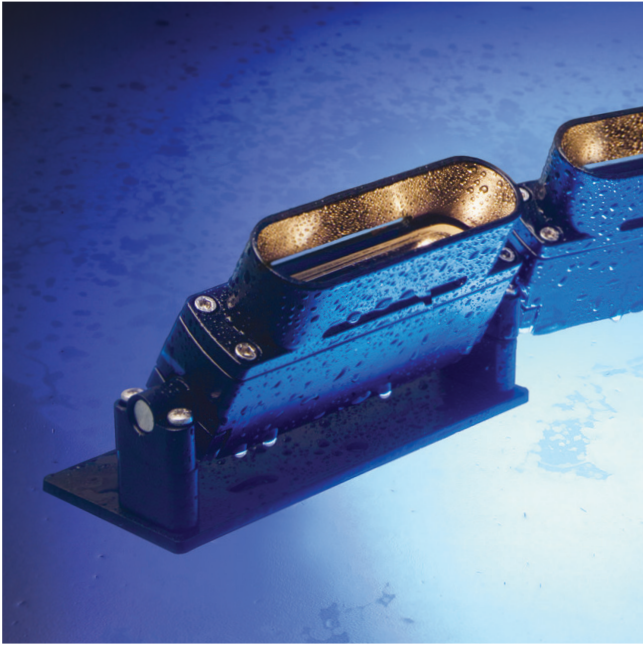
Low iron UV block pressed glass windows are bonded to the module bodies

* RGB, RGBW, RGBA and Dynamic-white options do not use a colour mixing lens

Up to 610 lumens per ft
(Up to 2,000 Lumens per Mtr)

LED / lens matrix	Lisa2 with CREE XP-E	Lisa2 with CREE XP-G
Diffused spot (D)	N/A	N/A
Real spot (RS)	16 °	26 °
Medium (M)	24 °	34 °
Wide (W)	37 °	48 °
Wide (WW)	42 °	54 °
Wide (WWW)	84 °	86 °
Elliptical (O)	18+48°	46+24°

Product Code	No. of LEDs per mtr.	IP	Length (mm)	LED Type	Optics (°)	Colour Temp. (K)	CRI	Cover	Bracket Type	Feed	Finish
RAD 3D LED FLEX 20 IP68 HP - 1 L	10 LEDs per Mtr: 4.3" (108mm) pitch	68	4" (100mm)	Cree: XP-E XP-G XQ-E	Ledil: Lisa2 (See attached Ledil data sheets for details)	27=2,700k 30=3,000k 35=3,500k 40=4,000k 45=4,500k 50=5,000k * RGB * RGBW * RGBA * Dynamic white	80 90	Clear	Adjustable Fixed Custom	End Back Side	Black White Any RAL-colour
RAD 3D LED FLEX 20 IP68 HP - 2 L	20 LEDs per Mtr: 2.1" (54mm) pitch		8.3' (2.5 mtrs)								



3D LED FLEX 25 anti-glare accessories

For use with the 3D LED Flex 25 system IP68 to control light glare from the LEDs when the fixtures are not fully recessed

The snoots are cast in 316 L stainless steel - suitable for use in saline and chlorine environments including pools, fountains and marine projects

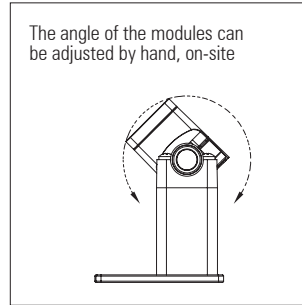
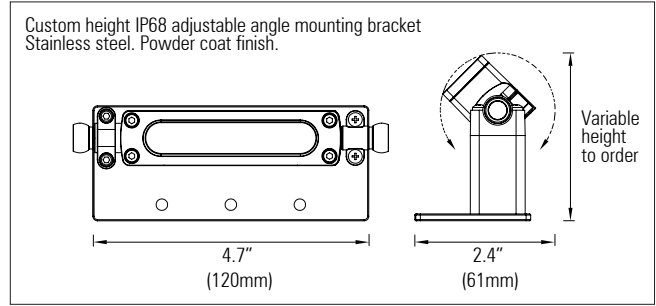
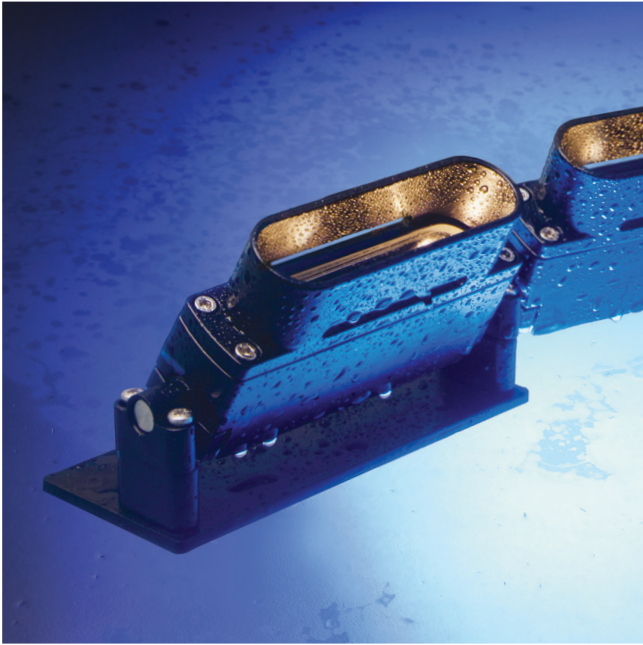
Powder coat finish - satin black, satin white or any RAL paint colour finish

Custom heights to order. Straight or custom cut angle side-profile to order

Product Code	IP	Overall height of fixture including snoot	Cut angle of side-profile (°)	Finish
RAD 3D LED FLEX 25 SNOOT IP68	68	1.3" (33mm) -increments of 0.2" (5 mm) up to- 2" (53mm)	0° -increments of 5° up to- 75°	Black White Any RAL colour

3D LED Flex system 25 IP68

Adjustable-angle mounting bracket



Adjustable-angle mounting bracket for 3D LED Flex 25 IP68

The 3D LED Flex 25 system is flexible in 3 dimensions, which allows it to follow curved building contours

The adjustable angle bracket allows the modules to be rotated around the major axis, so that the light output can be aimed precisely

The angle of the modules can be adjusted on-site, by hand. The friction ball-joint system keeps the modules correctly positioned. There is also a lockable option, which allows each module to be locked in place using an Allen key once it is correctly positioned

The bracket height can be specified to suit the project requirements

The brackets are made from 316 L stainless steel - suitable for use in saline and chlorine environments including pools, fountains and marine projects

They have a powder coat finish which is available in satin black, satin white or any RAL colour

Custom mounting and bracketry options are also available - please contact Radiant for more information

Product code	IP	Finish	Height of legs
RAD 3D LED FLEX 25 IP68 ADJUSTABLE ANGLE BRACKET CUSTOM HEIGHT	68	Black White Any RAL - colour	0.8" (20mm) -increments of 0.2" (5mm) up to- 11.8" (300mm)